

Gate Trace 8 mils  
Sense Trace 8 mils

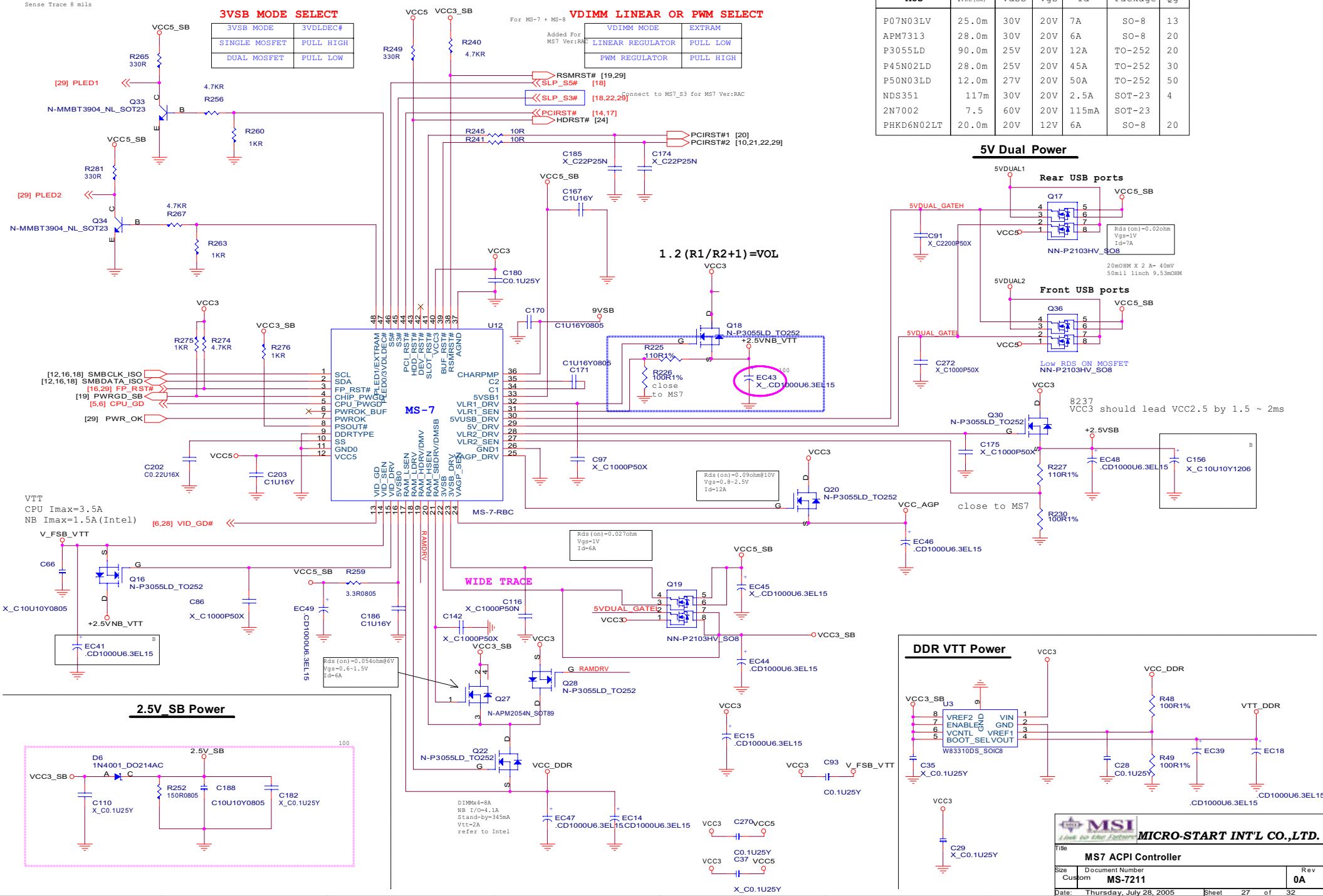
### 3VSB MODE SELECT

3VSB MODE	3VLDDEC#
SINGLE MOSFET	PULL HIGH
DUAL MOSFET	PULL LOW

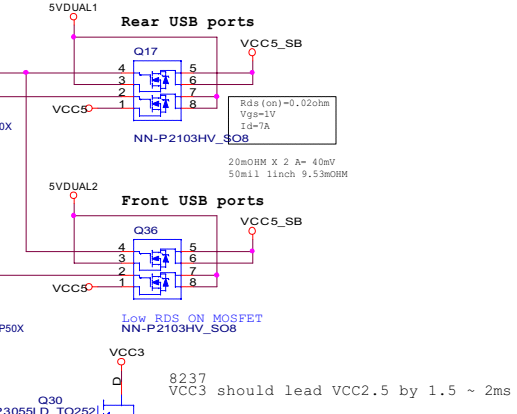
### VDIMM LINEAR OR PWM SELECT

VDIMM MODE	EXTRAM
LINEAR REGULATOR	PULL LOW
PWM REGULATOR	PULL HIGH

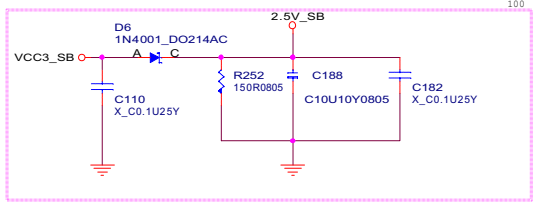
MOS	R <sub>ds(on)</sub>	V <sub>ds</sub>	V <sub>gs</sub>	I <sub>d</sub>	Package	Q <sub>g</sub>
P07N03LV	25.0m	30V	20V	7A	SO-8	13
APM7313	28.0m	30V	20V	6A	SO-8	20
P3055LD	90.0m	25V	20V	12A	TO-252	20
P45N02LD	28.0m	25V	20V	45A	TO-252	30
P50N03LD	12.0m	27V	20V	50A	TO-252	50
NDS351	117m	30V	20V	2.5A	SOT-23	4
2N7002	7.5	60V	20V	115mA	SOT-23	
PHKD6N02LT	20.0m	20V	12V	6A	SO-8	20



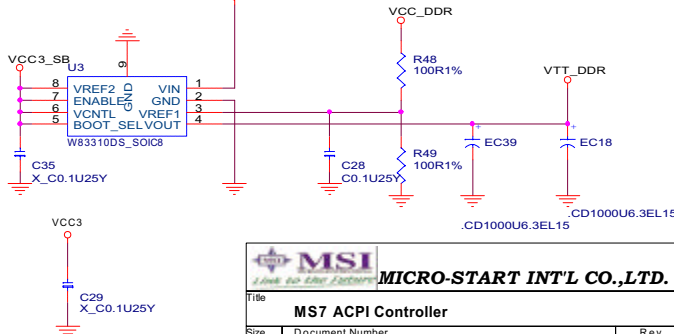
### 5V Dual Power



### 2.5V\_SB Power



### DDR VTT Power



**MSI**  
Live to Live Forever

**MICRO-START INT'L CO.,LTD.**

File: **MS7 ACPI Controller**

Size	Document Number	Rev
Custom	<b>MS-7211</b>	<b>0A</b>

Date: Thursday, July 28, 2005 Sheet 27 of 32